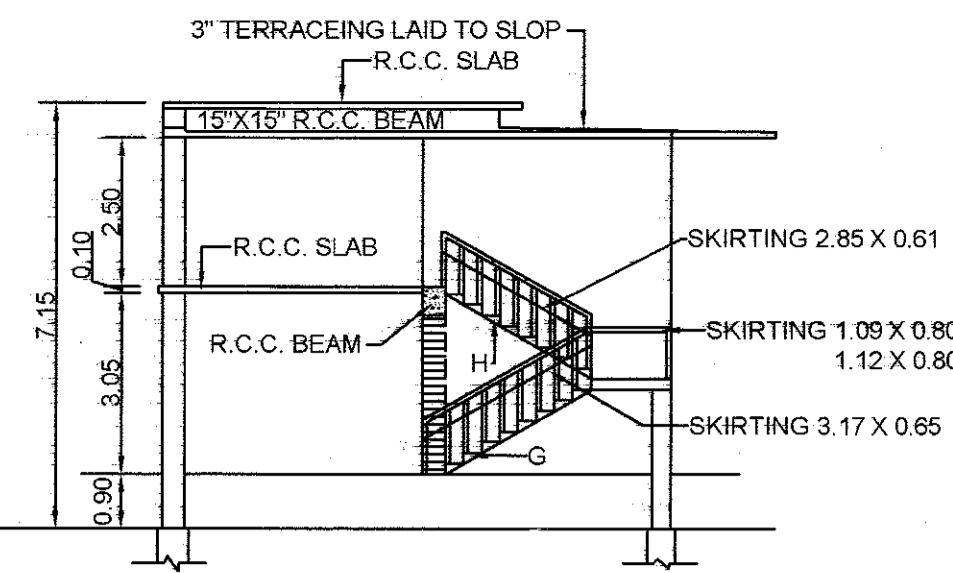


NORTH EAST ELEVATION



SECTION - CC

DETAILS OF DOORS AND WINDOWS

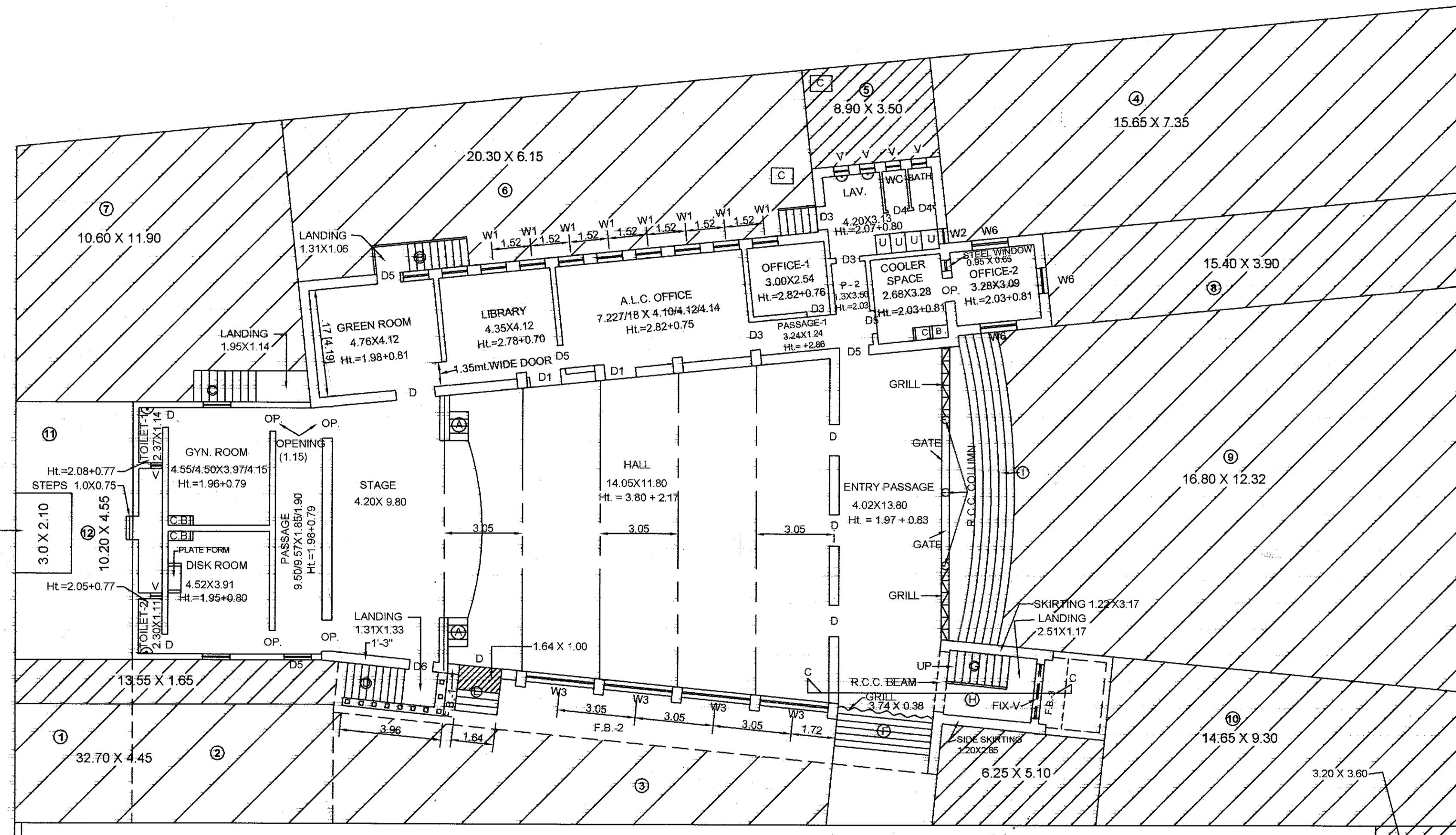
SR. NO	TYPES	SIZE
1	W 1	0.96 X 0.69
2	W 2	0.96 X 1.50
3	W 3	0.96 X 1.11
4	W 4	0.96 X 0.35
5	W 5	2.47 X 2.20
6	W 6	5.06 X 1.53
7	W 5	5.06 X 1.55
8	FIX-V	1.75 X 1.18
9	V 1	2.56 X 3.81
10	V	0.30/0.45 X 0.60
11	V 1	1.50 X 0.60
12	D	1.55 X 2.26
13	D 1	1.21 X 2.26
14	D 2	1.01 X 2.02
15	D 3	0.84/0.85 X 2.05
16	D 4	0.71/0.79 X 2.05
17	D 5	0.90/0.96/0.99 X 1.16/1.18

DETAILS OF FLOWER BED

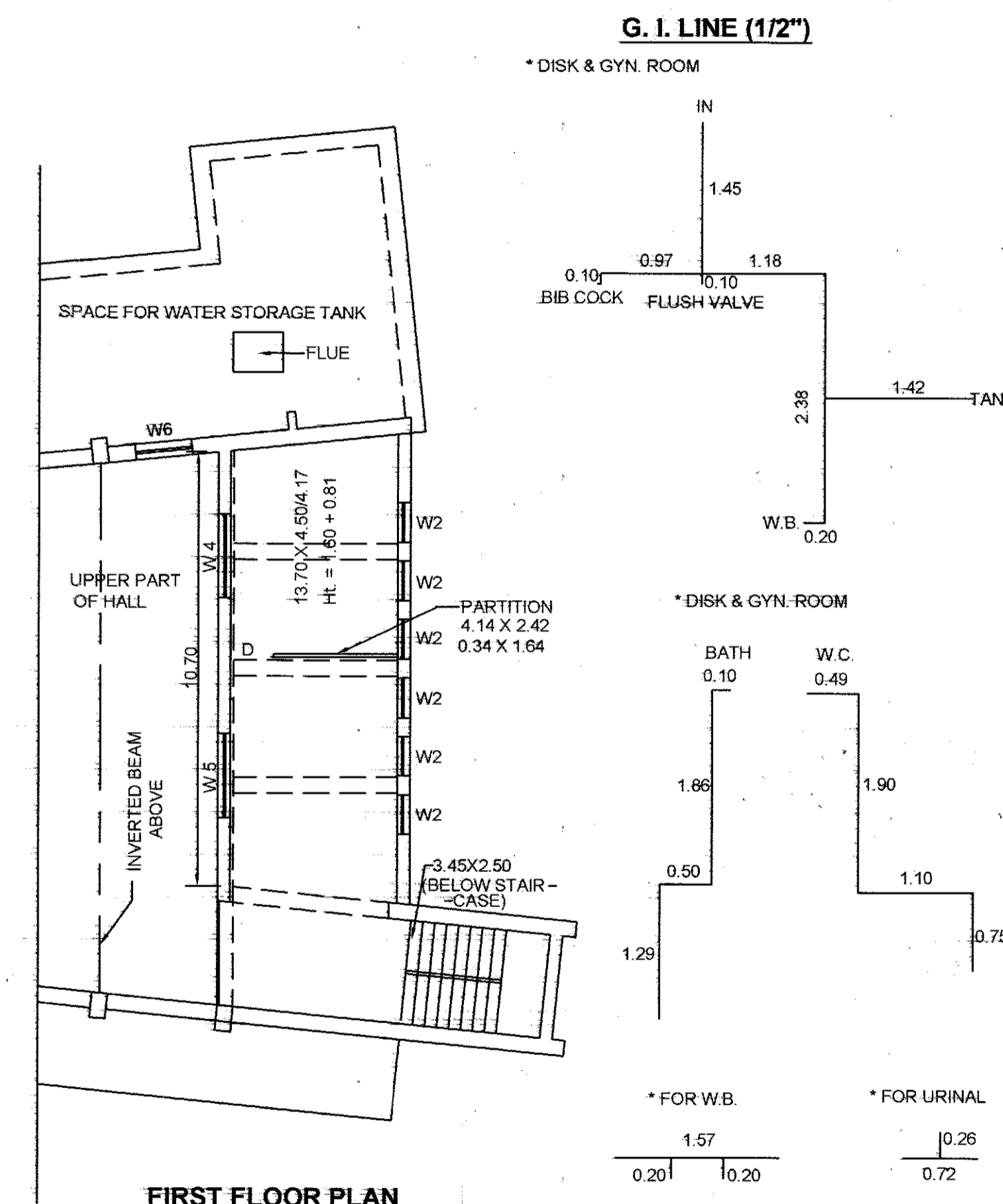
F.B. - 1	1.34 X 0.63 X 0.30
F.B. - 2	12.40 X 1.34 X 0.30
F.B. - 3	2.58 X 0.90 X 0.30

DISMANTLED G.I. PIPES

15 mm DIA.	19.10 mt.
20 mm DIA.	31.82 mt.
25 mm DIA.	32.20 mt.



GROUND FLOOR PLAN



FIRST FLOOR PLAN

DETAILS OF STEPS

STEPS	RISER	TREAD	LENGTH	NOs
A	0.21	0.27	0.73	3
B	0.15	0.28	1.06	8
C	0.13	0.29	1.14	8
D	0.15	0.26	1.31	7
E	0.12	0.27	1.64	4
F	0.14	0.27	3.74	4
G	0.12	0.28	1.22	8
H	0.14	0.26	1.20	8
I	0.12	0.29	4.57	5

NOTE :

C.C. FLOORING SHOWN THUS